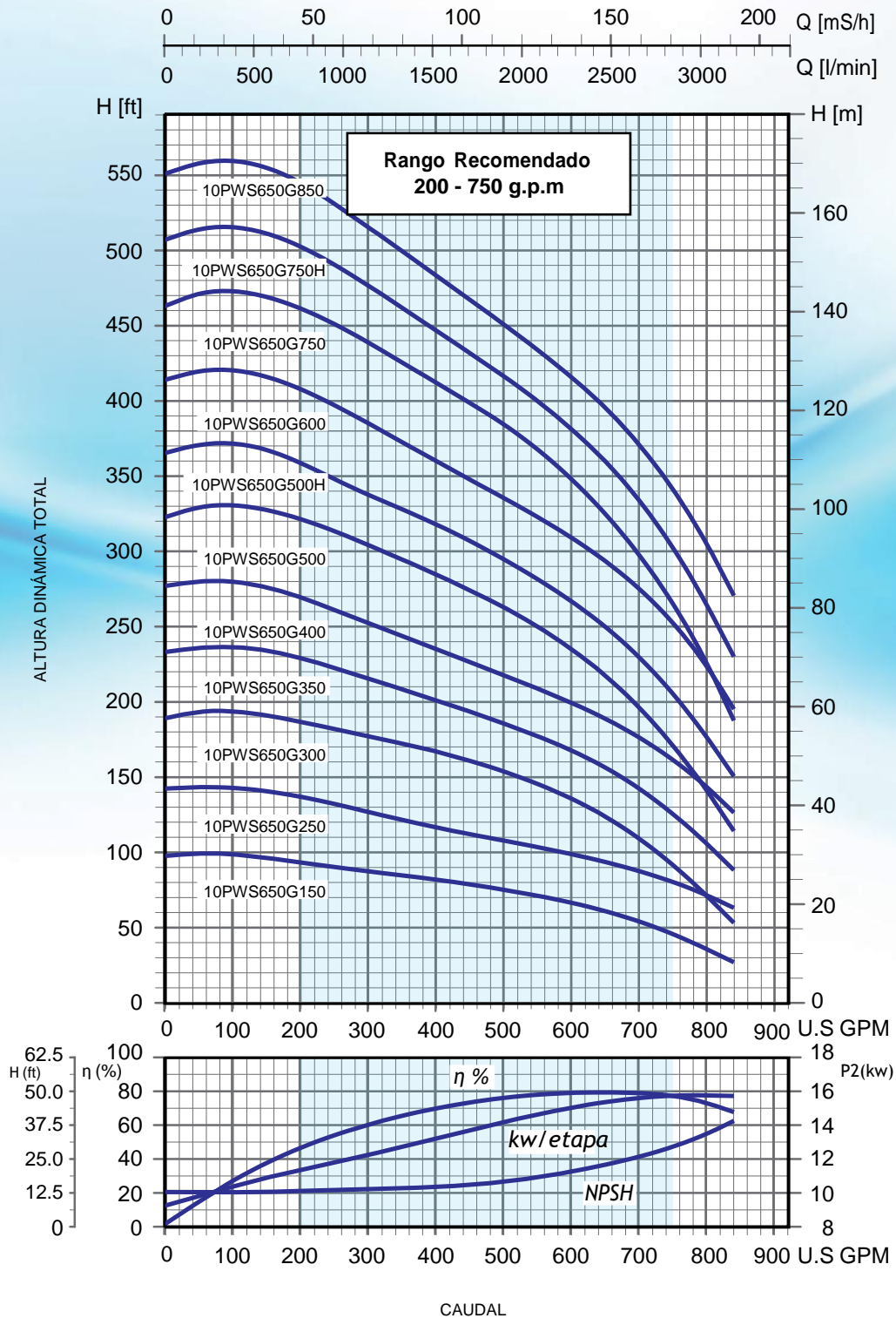
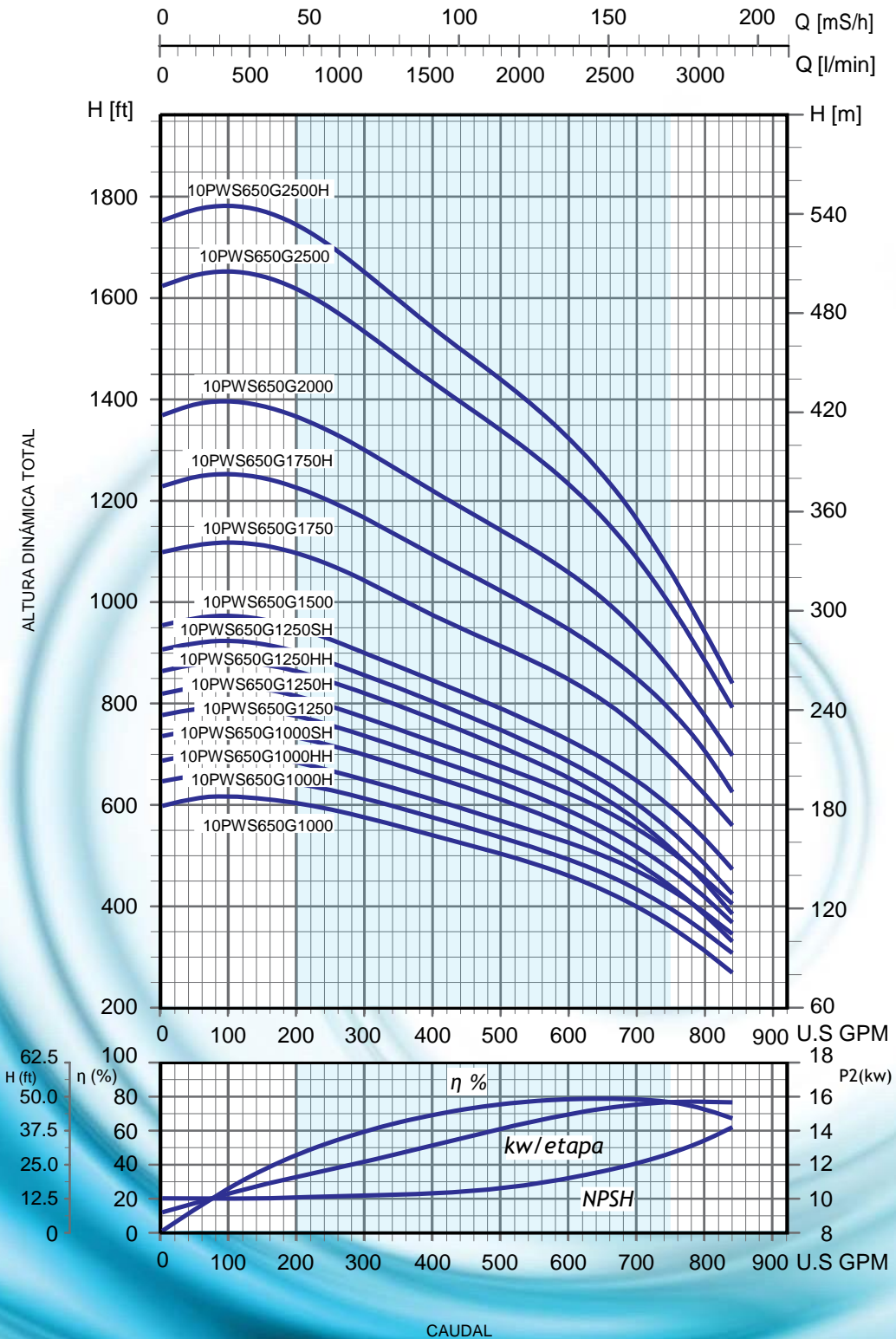


10PWS650G Curvas de Rendimiento



Serie 650 gpm

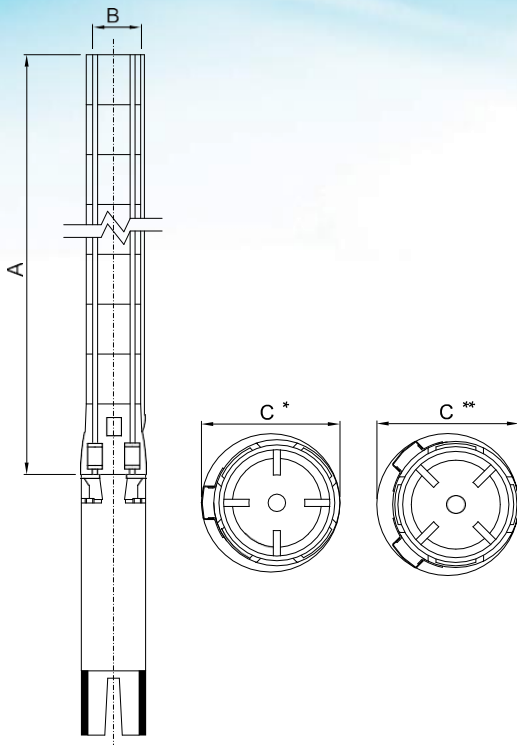
Curvas de Rendimiento - 10PWS650G



Serie 650 gpm

| MODELO | ETAPAS | MOTOR | | Q = CAUDAL | | | | | | | | | | | | | | | | | |
|------------------|--------|-------|-----|---|------|-----|------|-----|------|------|------|------|------|------|------|------|------|------|------|------|-----|
| | | | | l/min 0 | | 378 | | 756 | | 1134 | | 1512 | | 1890 | | 2268 | | 2646 | | 3024 | |
| | | | | gpm 0 | | 100 | | 200 | | 300 | | 400 | | 500 | | 600 | | 700 | | 800 | |
| | | | | H = ALTURA TOTAL EN METROS / ALTURA TOTAL EN PIES | | | | | | | | | | | | | | | | | |
| | | KW | | HP | | M | FT | M | FT | M | FT | M | FT | M | FT | M | FT | M | FT | | |
| 10PWS 650G150 | 1 | 11 | 15 | 32 | 105 | 30 | 98 | 28 | 92 | 27 | 89 | 25 | 82 | 23 | 75 | 20 | 66 | 17 | 56 | 12 | 39 |
| 10PWS 650G250 | 1 | 18.5 | 25 | 44 | 144 | 43 | 141 | 42 | 138 | 38 | 125 | 36 | 118 | 33 | 108 | 30 | 98 | 27 | 89 | 20 | 66 |
| 10PWS 650G300 | 2 | 22 | 30 | 58 | 190 | 57 | 187 | 57 | 187 | 53 | 174 | 51 | 167 | 47 | 154 | 41 | 134 | 34 | 112 | 22 | 72 |
| 10PWS 650G350 | 2 | 26 | 35 | 75 | 246 | 73 | 239 | 70 | 230 | 66 | 216 | 62 | 203 | 56 | 184 | 51 | 167 | 44 | 144 | 32 | 105 |
| 10PWS 650G400 | 2 | 30 | 40 | 85 | 279 | 85 | 279 | 82 | 269 | 77 | 253 | 72 | 236 | 66 | 216 | 61 | 200 | 55 | 180 | 44 | 144 |
| 10PWS 650G500 | 3 | 37 | 50 | 103 | 338 | 102 | 335 | 97 | 318 | 93 | 305 | 81 | 266 | 80 | 262 | 72 | 236 | 61 | 200 | 44 | 144 |
| 10PWS 650G500H | 3 | 37 | 50 | 115 | 377 | 113 | 371 | 109 | 358 | 103 | 338 | 97 | 318 | 90 | 295 | 82 | 269 | 71 | 233 | 55 | 180 |
| 10PWS 650G600 | 3 | 45 | 60 | 128 | 420 | 128 | 420 | 125 | 410 | 118 | 387 | 110 | 361 | 103 | 338 | 94 | 308 | 85 | 279 | 70 | 230 |
| 10PWS 650G750 | 4 | 55 | 75 | 145 | 476 | 145 | 476 | 141 | 462 | 134 | 440 | 127 | 417 | 117 | 384 | 106 | 348 | 92 | 302 | 70 | 230 |
| 10PWS 650G750H | 4 | 55 | 75 | 158 | 518 | 157 | 515 | 153 | 502 | 146 | 479 | 137 | 449 | 128 | 420 | 116 | 380 | 102 | 335 | 82 | 269 |
| 10PWS 650G850 | 4 | 63 | 85 | 172 | 564 | 171 | 561 | 167 | 548 | 158 | 518 | 148 | 485 | 138 | 453 | 127 | 417 | 115 | 377 | 95 | 312 |
| 10PWS 650G1000 | 5 | 75 | 100 | 185 | 607 | 185 | 607 | 182 | 597 | 175 | 574 | 165 | 541 | 152 | 499 | 138 | 453 | 120 | 394 | 95 | 312 |
| 10PWS 650G1000H | 5 | 75 | 100 | 200 | 656 | 200 | 656 | 195 | 640 | 185 | 607 | 175 | 574 | 162 | 531 | 150 | 492 | 130 | 426 | 105 | 344 |
| 10PWS 650G1000HH | 5 | 75 | 100 | 218 | 715 | 217 | 712 | 210 | 689 | 195 | 640 | 188 | 617 | 175 | 574 | 160 | 525 | 141 | 462 | 118 | 387 |
| 10PWS 650G1000SH | 6 | 75 | 100 | 228 | 748 | 228 | 748 | 212 | 695 | 212 | 695 | 200 | 656 | 185 | 607 | 170 | 558 | 150 | 492 | 120 | 394 |
| 10PWS 650G1250 | 6 | 93 | 125 | 245 | 804 | 241 | 790 | 238 | 781 | 222 | 728 | 210 | 689 | 195 | 640 | 179 | 587 | 160 | 525 | 130 | 426 |
| 10PWS 650G1250H | 6 | 93 | 125 | 255 | 836 | 255 | 836 | 248 | 813 | 238 | 781 | 220 | 722 | 208 | 682 | 190 | 623 | 170 | 558 | 138 | 453 |
| 10PWS 650G1250HH | 7 | 93 | 125 | 272 | 892 | 270 | 886 | 265 | 869 | 250 | 820 | 238 | 781 | 218 | 715 | 199 | 653 | 175 | 574 | 140 | 459 |
| 10PWS 650G1250SH | 7 | 93 | 125 | 282 | 925 | 282 | 925 | 275 | 902 | 260 | 853 | 253 | 830 | 228 | 748 | 210 | 689 | 185 | 607 | 150 | 492 |
| 10PWS 650G1500 | 7 | 110 | 150 | 300 | 984 | 298 | 977 | 290 | 951 | 277 | 909 | 258 | 846 | 240 | 787 | 221 | 725 | 200 | 656 | 173 | 567 |
| 10PWS 650G1750 | 8 | 132 | 175 | 344 | 1128 | 342 | 1122 | 335 | 1099 | 320 | 1050 | 300 | 984 | 280 | 918 | 260 | 853 | 235 | 771 | 192 | 630 |
| 10PWS 650G1750H | 9 | 132 | 175 | 384 | 1260 | 382 | 1253 | 380 | 1246 | 358 | 1174 | 335 | 1099 | 315 | 1033 | 290 | 951 | 261 | 856 | 218 | 715 |
| 10PWS 650G2000 | 10 | 147 | 200 | 432 | 1417 | 430 | 1410 | 420 | 1378 | 400 | 1312 | 375 | 1230 | 350 | 1148 | 321 | 1053 | 292 | 958 | 240 | 787 |
| 10PWS 650G2500 | 12 | 185 | 250 | 507 | 1663 | 505 | 1656 | 494 | 1620 | 470 | 1542 | 440 | 1443 | 415 | 1361 | 380 | 1246 | 350 | 1148 | 260 | 853 |
| 10PWS 650G2500H | 13 | 185 | 250 | 547 | 1794 | 545 | 1788 | 535 | 1755 | 505 | 1666 | 475 | 1558 | 440 | 1443 | 430 | 1410 | 360 | 1181 | 260 | 853 |

Dimensiones - 10PWS650G



| MODELO | DIAMETRO MOTOR | DIMENSIONES IN / MM | | | | | | | | | | | | PESO NETO | |
|------------------|----------------|---------------------|------|------|-----|------|-----|------------------|------|------|-----|------|-----|-----------|------|
| | | B 6" CONEXION (NPT) | | | | | | B 6" BRIDA (NPT) | | | | | | | |
| | | A | | C* | | C** | | A | | C* | | C** | | | |
| IN | MM | IN | MM | IN | MM | IN | MM | IN | MM | IN | MM | LBS | KG | | |
| 10PWS 650G150 | 6" | 25.67 | 652 | 8.31 | 211 | 8.46 | 215 | 25.67 | 652 | 8.74 | 222 | 8.90 | 226 | 64.53 | 29.2 |
| 10PWS 650G250 | 6" | 25.67 | 652 | 8.31 | 211 | 8.46 | 215 | 25.67 | 652 | 8.74 | 222 | 8.90 | 226 | 64.75 | 29.3 |
| 10PWS 650G300 | 6" | 31.77 | 807 | 8.31 | 211 | 8.46 | 215 | 31.77 | 807 | 8.74 | 222 | 8.90 | 226 | 78.68 | 35.6 |
| 10PWS 650G350 | 6" | 31.77 | 807 | 8.31 | 211 | 8.46 | 215 | 31.77 | 807 | 8.74 | 222 | 8.90 | 226 | 78.90 | 35.7 |
| 10PWS 650G400 | 6" | 31.77 | 807 | 8.31 | 211 | 8.46 | 215 | 31.77 | 807 | 8.74 | 222 | 8.90 | 226 | 79.12 | 35.8 |
| 10PWS 650G400 | 8" | 31.77 | 807 | 8.39 | 213 | 8.62 | 219 | 31.77 | 807 | 9.02 | 229 | 9.13 | 232 | 93.04 | 42.1 |
| 10PWS 650G500 | 6" | 37.91 | 963 | 8.31 | 211 | 8.46 | 215 | 37.91 | 963 | 8.74 | 222 | 8.90 | 226 | 93.04 | 42.1 |
| 10PWS 650G500 | 8" | 37.91 | 963 | 8.39 | 213 | 8.62 | 219 | 37.91 | 963 | 9.02 | 229 | 9.13 | 232 | 103.65 | 46.9 |
| 10PWS 650G500H | 6" | 37.91 | 963 | 8.31 | 211 | 8.46 | 215 | 37.91 | 963 | 8.74 | 222 | 8.90 | 226 | 93.26 | 42.2 |
| 10PWS 650G500H | 8" | 37.91 | 963 | 8.39 | 213 | 8.62 | 219 | 37.91 | 963 | 9.02 | 229 | 9.13 | 232 | 103.87 | 47 |
| 10PWS 650G600 | 6" | 37.91 | 963 | 8.31 | 211 | 8.46 | 215 | 37.91 | 963 | 8.74 | 222 | 8.90 | 226 | 93.48 | 42.3 |
| 10PWS 650G600 | 8" | 37.91 | 963 | 8.39 | 213 | 8.62 | 219 | 37.91 | 963 | 9.02 | 229 | 9.13 | 232 | 104.09 | 47.1 |
| 10PWS 650G750 | 8" | 44.02 | 1118 | 8.39 | 213 | 8.62 | 219 | 44.02 | 1118 | 9.02 | 229 | 9.13 | 232 | 114.70 | 51.9 |
| 10PWS 650G750H | 8" | 44.02 | 1118 | 8.39 | 213 | 8.62 | 219 | 44.02 | 1118 | 9.02 | 229 | 9.13 | 232 | 114.92 | 52 |
| 10PWS 650G850 | 8" | 44.02 | 1118 | 8.39 | 213 | 8.62 | 219 | 44.02 | 1118 | 9.02 | 229 | 9.13 | 232 | 115.14 | 52.1 |
| 10PWS 650G1000 | 8" | 50.16 | 1274 | 8.39 | 213 | 8.62 | 219 | | | | | | | 125.75 | 56.9 |
| 10PWS 650G1000H | 8" | 50.16 | 1274 | 8.39 | 213 | 8.62 | 219 | | | | | | | 125.97 | 57 |
| 10PWS 650G1000HH | 8" | 50.16 | 1274 | 8.39 | 213 | 8.62 | 219 | | | | | | | 126.19 | 57.1 |
| 10PWS 650G1000SH | 8" | 56.26 | 1429 | 8.39 | 213 | 8.62 | 219 | | | | | | | 136.80 | 61.9 |
| 10PWS 650G1250 | 8" | 56.26 | 1429 | 8.39 | 213 | 8.62 | 219 | | | | | | | 137.02 | 62 |
| 10PWS 650G1250H | 8" | 56.26 | 1429 | 8.39 | 213 | 8.62 | 219 | | | | | | | 137.24 | 62.1 |
| 10PWS 650G1250HH | 8" | 62.40 | 1585 | 8.39 | 213 | 8.62 | 219 | | | | | | | 147.85 | 66.9 |
| 10PWS 650G1250SH | 8" | 62.40 | 1585 | 8.39 | 213 | 8.62 | 219 | | | | | | | 148.07 | 67 |
| 10PWS 650G1500 | 8" | 62.40 | 1585 | 8.39 | 213 | 8.62 | 219 | | | | | | | 148.29 | 67.1 |
| 10PWS 650G1750 | 10" | 73.62 | 1870 | 8.94 | 227 | 9.72 | 247 | | | | | | | 184.54 | 83.5 |
| 10PWS 650G1750H | 10" | 79.76 | 2026 | 8.94 | 227 | 9.72 | 247 | | | | | | | 198.90 | 90 |
| 10PWS 650G2000 | 10" | 85.87 | 2181 | 8.94 | 227 | 9.72 | 247 | | | | | | | 213.27 | 96.5 |

Para hidráulicas que van a ser ensambladas a motores de 12", las dimensiones del acople motor deberán ser especificadas.

C* : Diámetro máximo de la bomba cuando es ensamblada con un cable de alimentación
 C** : Diámetro máximo de la bomba cuando es ensamblada con dos cables de alimentación