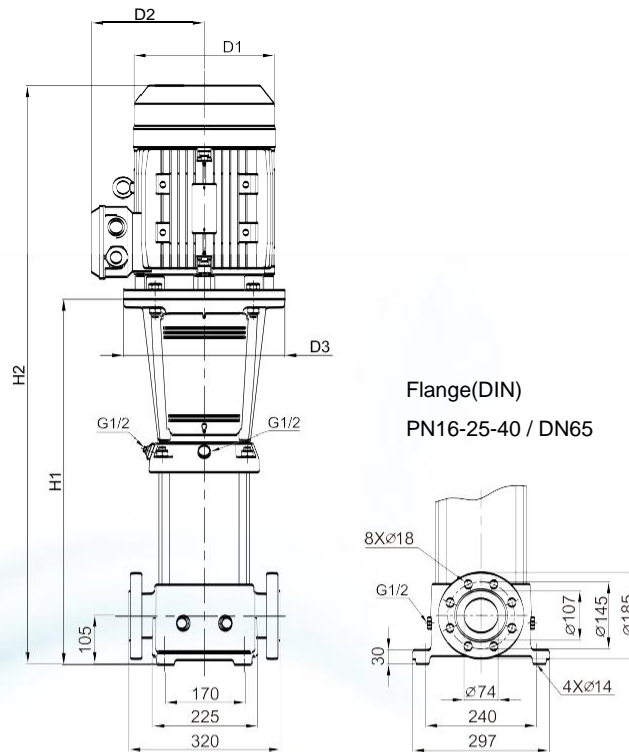
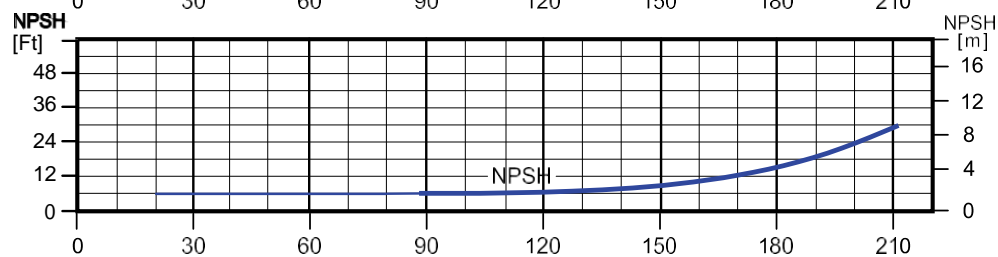
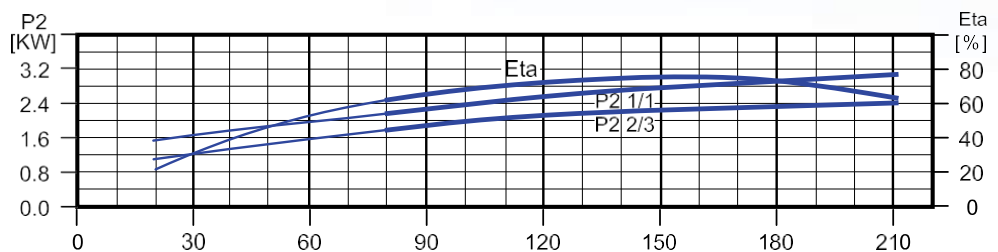
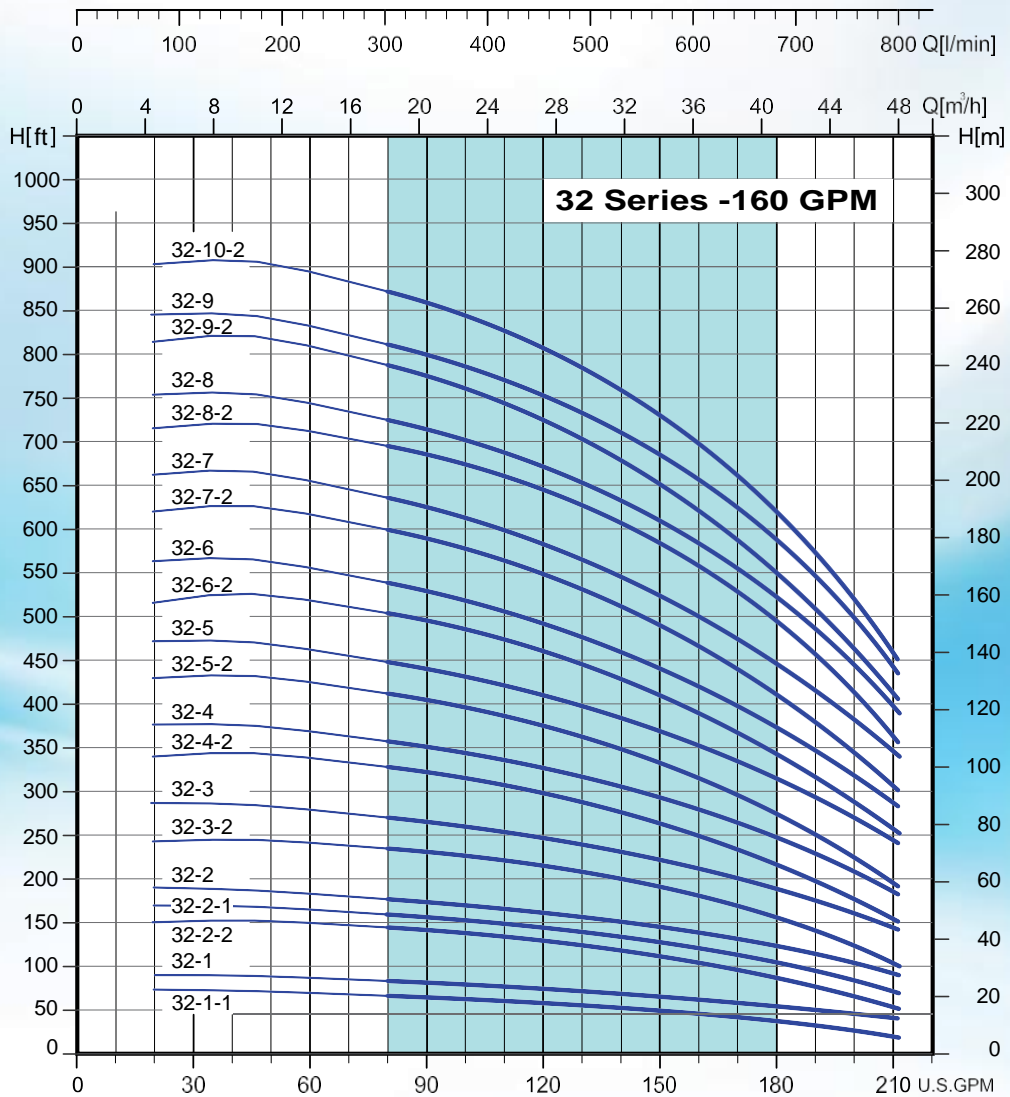


## Peso y Dimensiones



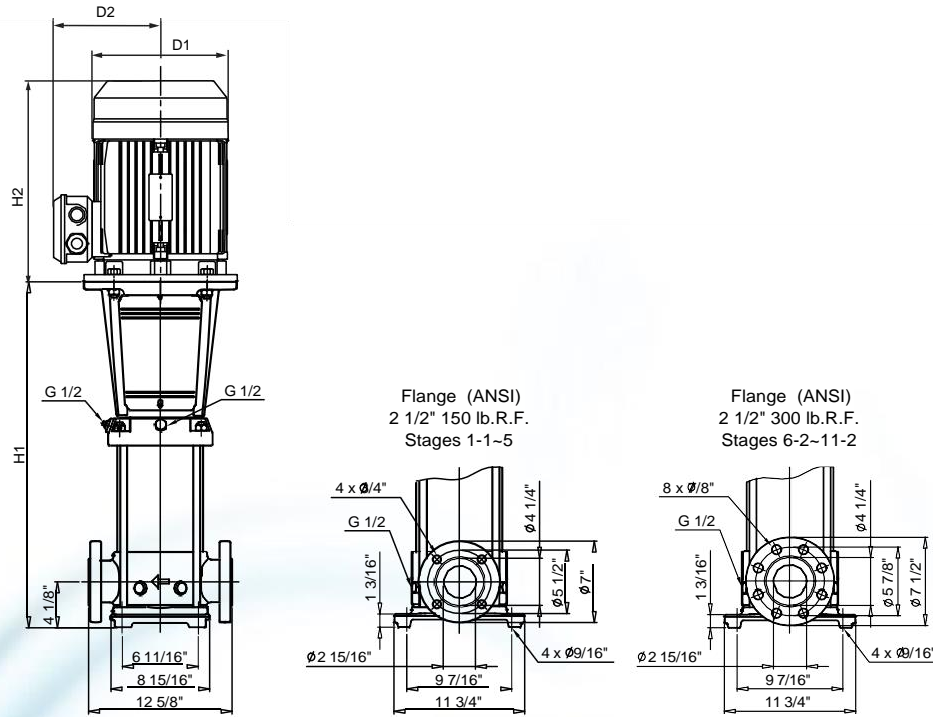
MODELO	HP	ACOPLE	DIMENSIONES Y PESO SERIE VPS - MOTORES IEC									
			H1		H2		D1		D2		PESO NETO	
			in	mm	in	mm	in	mm	in	mm	lbs	kg
TRIFASICO												
VPS 32-1-1	3	90L	20	504	31 1/2	799	7	177	5 5/8	141	153	70
VPS 32-1	4	100L	20	504	32 3/8	820	8	197	6	147	171	78
VPS 32-2-2	7.5	132S	22 5/8	574	37	936	9 1/4	235	8	197	224	102
VPS 32-2-1	7.5	132S	22 5/8	574	37	936	9 1/4	235	8	197	224	102
VPS 32-2	10	132S	22 5/8	574	38 5/8	979	9 1/4	235	8	197	237	108
VPS 32-3-2	15	160M	29 3/4	754	47 1/4	1199	10 5/8	269	8 1/2	215	323	147
VPS 32-3	15	160M	29 3/4	754	47 1/4	1199	10 5/8	269	8 1/2	215	323	147
VPS 32-4-2	15	160M	32 1/2	824	50	1269	10 5/8	269	8 1/2	215	330	150
VPS 32-4	20	160M	32 1/2	824	51 3/4	1314	10 5/8	269	8 1/2	215	354	161
VPS 32-5-2	20	160M	35 1/4	894	54 1/2	1384	10 5/8	269	8 1/2	215	361	164
VPS 32-5	25	160L	35 1/4	894	56 1/2	1434	12 5/8	318	9 1/2	241	435	198
VPS 32-6-2	25	160L	38	964	59 1/4	1504	12 5/8	318	9 1/2	241	442	201
VPS 32-6	25	160L	38	964	59 1/4	1504	12 5/8	318	9 1/2	241	442	201
VPS 32-7-2	30	180M	40 3/4	1034	62	1574	12 5/8	318	9 1/2	241	477	217
VPS 32-7	30	180M	40 3/4	1034	62	1574	12 5/8	318	9 1/2	241	477	217
VPS 32-8-2	40	200L	43 1/2	1104	69 1/2	1764	15 3/8	390	11 5/8	295	713	324
VPS 32-8	40	200L	43 1/2	1104	69 1/2	1764	15 3/8	390	11 5/8	295	713	324
VPS 32-9-	40	200L	46 1/4	1174	72 1/4	1834	15 3/8	390	11 5/8	295	719	326
VPS 32-9	40	200L	46 1/4	1174	72 1/4	1834	15 3/8	390	11 5/8	295	719	326
VPS 32-10-2	40	200L	49	1244	75	1904	15 3/8	390	11 5/8	295	725	329

Todas las medidas son de referencia. Los valores podrán cambiar según el modelo del motor



# VPS 32 MOTOR NEMA

## Peso y dimensiones



MODELO	HP	ACOPLE	MOTOR ODP	MOTOR TEFC	DIMENSIONES Y PESO SERIE VPS - MOTORES NEMA														PESO NETO		PESO NETO					
					H1		H2		H2		D1		D1		D2		D2		D3		D3		ODP	TEFC	ODP	TEFC
					HIDRAULICA	ODP	TEFC	ODP	TEFC	ODP	TEFC	ODP	TEFC	ODP	TEFC	ODP	TEFC	ODP	TEFC	ODP	TEFC	ODP	TEFC	ODP	TEFC	
					in	mm	in	mm	in	mm	in	mm	in	mm	in	mm	in	mm	in	mm	in	mm	in	mm	lbs	kg
<b>MONOFASICO</b>																										
VPS 32-1-1	3	182TC	MVB 30F16O	MVB 30F16T	20 1/8	508	12 1/2	316	13 3/4	348	9	227	8 5/8	219	5 5/8	143	7	175	9 1/8	230	9	226	167	76	179	82
VPS 32-1	5	182TC	-	MVB 50C16T	20 1/8	508	-	-	15 3/8	389	-	-	8 5/8	219	-	-	7	175	-	-	9	226	-	-	198	90
VPS 32-3-2	10	213TC	-	MVB 100C16T	25 5/8	648	-	-	16 3/8	417	-	-	10 3/8	262	-	-	9 1/4	233	-	-	9 1/8	230	-	-	309	141
<b>TRIFASICO</b>																										
VPS 32-1-1	3	182TC	-	MVB 30H36T	20 1/8	508	-	-	12 1/2	316	-	-	7 1/4	183	-	-	5 3/4	146	-	-	9	226	-	-	156	71
VPS 32-1	5	182TC	MVB 50H36O	MVB 50H36T	20 1/8	508	13 5/8	344	13 3/4	348	9	227	8 1/2	216	5 5/8	143	7	175	9 1/8	230	9	226	170	78	181	83
VPS 32-2-2	7.5	213TC	-	MVB 75H36T	23	578	-	-	15 1/4	386	-	-	8 5/8	219	-	-	6	151	-	-	9	226	-	-	208	95
VPS 32-2-1	7.5	213TC	-	MVB 75H36T	23	578	-	-	15 1/4	386	-	-	8 5/8	219	-	-	6	151	-	-	9	226	-	-	208	95
VPS 32-2	7.5	213TC	-	MVB 75H36T	23	578	-	-	15 1/4	386	-	-	8 5/8	219	-	-	6	151	-	-	9	226	-	-	208	95
VPS 32-3-2	10	213TC	MVB 100H36O	MVB 100H36T	25 5/8	648	14 5/8	371	15 1/4	388	10 1/4	259	10 3/8	262	8	201	8 1/8	205	9 1/8	230	9 1/8	230	263	120	267	122
VPS 32-3	15	254TC	-	MVB 150H36T	29 3/4	753	-	-	16 3/8	415	-	-	10 3/8	262	-	-	9 1/4	235	-	-	9 1/8	232	-	-	367	167
VPS 32-4-2	15	254TC	-	MVB 150H36T	32 1/2	823	-	-	16 3/8	415	-	-	10 3/8	262	-	-	9 1/4	235	-	-	9 1/8	232	-	-	374	170
VPS 32-4	15	254TC	-	MVB 150H36T	32 1/2	823	-	-	16 3/8	415	-	-	10 3/8	262	-	-	9 1/4	235	-	-	9 1/8	232	-	-	374	170
VPS 32-5-2	20	254TC	MVB 200H36O	MVB 200H36T	35 1/4	893	18 1/4	464	20	503	11 1/2	293	13	329	9 1/2	242	10 1/8	256	9 1/2	241	9 1/8	231	340	155	384	175
VPS 32-5	20	254TC	MVB 200H36O	MVB 200H36T	35 1/4	893	18 1/4	464	20	503	11 1/2	293	13	329	9 1/2	242	10 1/8	256	9 1/2	241	9 1/8	231	341	155	385	175
VPS 32-6-2	25	284TSC	-	MVB 250H36T	38	963	-	-	19 1/4	487	-	-	13	329	-	-	11 5/8	293	-	-	11 1/4	285	-	-	445	202
VPS 32-6	25	284TSC	-	MVB 250H36T	38	963	-	-	19 1/4	487	-	-	13	329	-	-	11 5/8	293	-	-	11 1/4	285	-	-	445	202
VPS 32-7-2	30	286TSC	-	MVB 300H36T	40 3/4	1033	-	-	19 1/4	487	-	-	13	329	-	-	11 5/8	293	-	-	11 1/4	285	-	-	467	212
VPS 32-7	30	286TSC	-	MVB 300H36T	40 3/4	1033	-	-	19 1/4	487	-	-	13	329	-	-	11 5/8	293	-	-	11 1/4	285	-	-	467	212
VPS 32-8-2	30	286TSC	-	MVB 300H36T	43 1/2	1103	-	-	19 1/4	487	-	-	13	329	-	-	11 5/8	293	-	-	11 1/4	285	-	-	499	227

- No está disponible

Todas las medidas son de referencia. Los valores podrán cambiar según el modelo del motor.