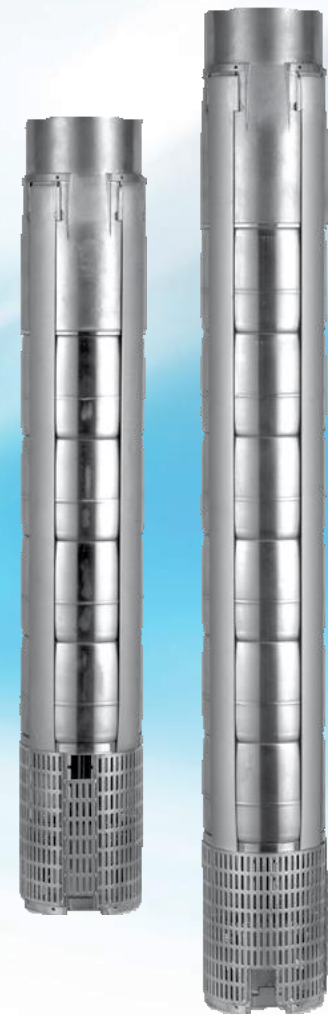
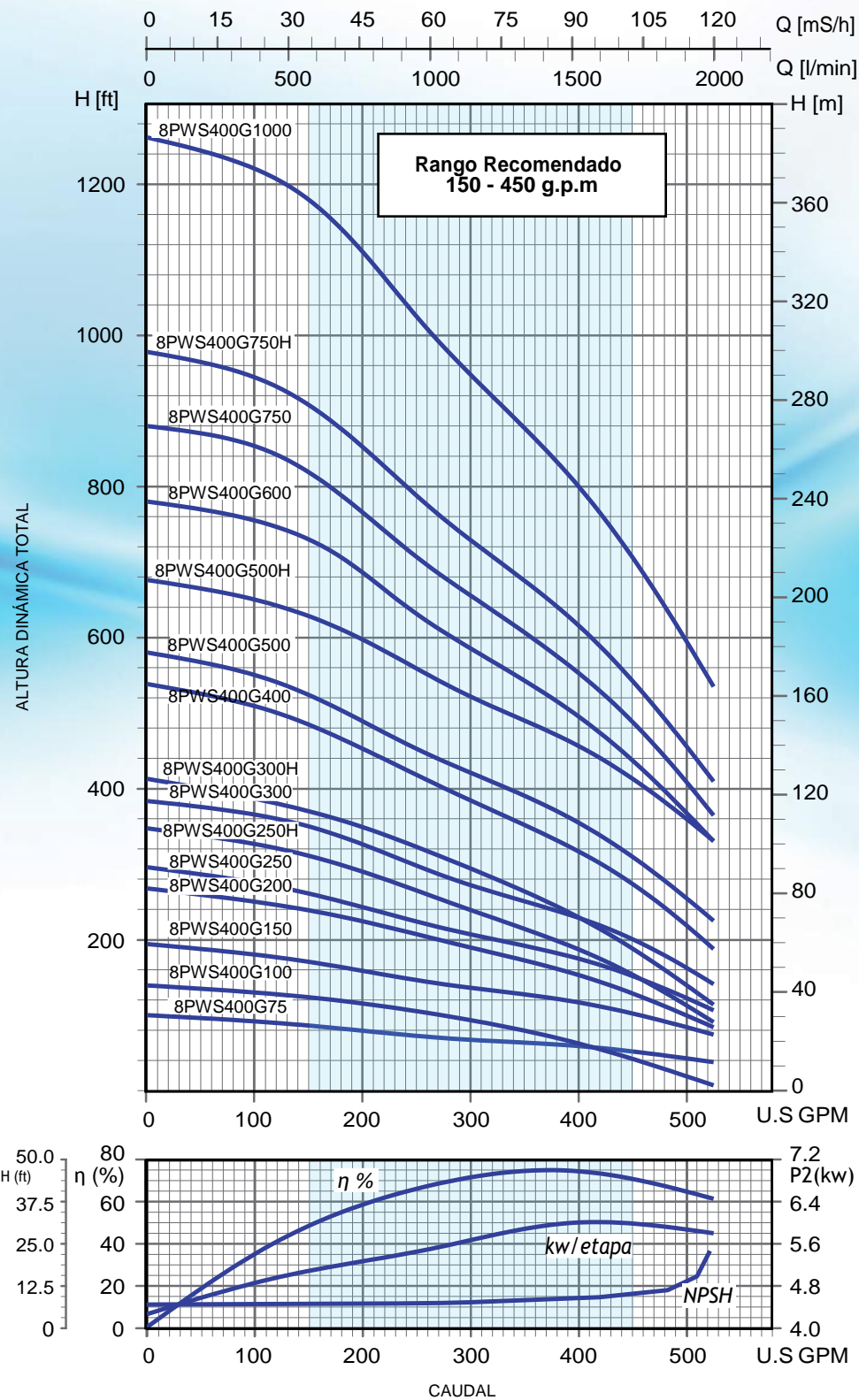




Pearl

8PWS

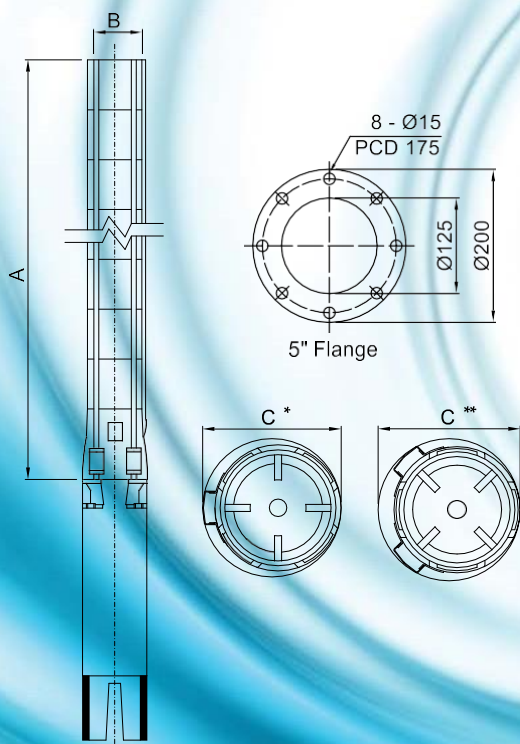
8PWS400G Curvas de Rendimiento



Serie 400 gpm

Tabla de Selección - 8PWS400G

MODELO	ETAPAS	MOTOR		Q = CAUDAL																					
				l/min 0		189	378	567	756	945	1134	1323	1512	1701	1890										
		gpm 0		50	100	150	200	250	300	350	400	450	500												
		KW	HP	H = ALTURA TOTAL EN METROS / ALTURA TOTAL EN PIES																					
M	FT			M	FT	M	FT	M	FT	M	FT	M	FT	M	FT	M	FT	M	FT						
8PWS400G75	1	5	7.5	30	100	30	97	28	92	26	85	24	80	22	72	20	65	18	60	17	57	15	50	12	40
8PWS400G100	2	7.5	10	42	138	41	135	40	130	37	121	35	115	31	103	28	93	24	80	19	62	13	42	6	21
8PWS400G150	2	11	15	60	198	58	190	55	182	52	171	49	160	45	147	42	137	38	125	36	118	30	100	25	82
8PWS400G200	3	15	20	81	265	79	258	76	248	73	238	67	221	63	205	57	188	52	170	47	155	38	123	30	100
8PWS400G250	3	18.5	25	90	295	86	282	84	275	79	260	73	240	67	221	63	205	58	190	54	177	46	150	37	120
8PWS400G250H	4	18.5	25	107	350	104	340	101	330	97	317	90	295	82	270	76	248	67	221	61	200	49	162	34	112
8PWS400G300	4	22	30	117	385	116	379	113	369	107	352	101	330	91	300	84	275	78	255	72	235	63	205	52	170
8PWS400G300H	5	22	30	128	420	124	407	120	393	115	377	108	355	100	327	91	300	81	267	67	220	59	192	43	140
8PWS400G400	6	30	40	165	542	162	530	157	515	148	487	139	455	128	420	117	385	107	352	97	317	84	275	67	220
8PWS400G500	6	37	50	177	580	171	562	168	550	159	522	148	485	137	450	128	420	119	390	109	359	98	322	78	255
8PWS400G500H	7	37	50	207	679	203	666	197	645	189	620	180	590	165	540	149	490	140	460	128	420	116	380	107	350
8PWS400G600	8	45	60	238	780	233	765	230	755	221	725	207	680	192	630	180	590	174	570	149	490	134	440	110	360
8PWS400G750	9	50	75	268	880	265	870	262	860	250	820	232	762	216	710	201	660	186	610	169	555	149	490	123	405
8PWS400G750H	10	50	75	297	975	293	960	287	940	277	910	258	845	241	790	220	720	207	680	188	615	165	540	140	460
8PWS400G1000	13	75	100	384	1260	378	1240	372	1220	363	1190	337	1105	311	1020	287	940	265	870	244	800	213	700	181	595



Dimensiones - 8PWS400G

MODELO	DIMENSIONES IN / MM												PESO NETO	
	A		C*		C**		A		C*		C**			
	IN	MM	IN	MM	IN	MM	IN	MM	IN	MM	IN	MM	LBS	KG
8PWS400G75	24.33	618	7.01	178	7.32	186	24.33	618	7.87	200	7.87	200	55.47	25.1
8PWS400G100	29.37	746	7.01	178	7.32	186	29.37	746	7.87	200	7.87	200	63.43	28.7
8PWS400G150	29.37	746	7.01	178	7.32	186	29.37	746	7.87	200	7.87	200	63.43	28.7
8PWS400G200	34.41	874	7.01	178	7.32	186	34.41	874	7.87	200	7.87	200	71.38	32.3
8PWS400G250	34.41	874	7.01	178	7.32	186	34.41	874	7.87	200	7.87	200	71.38	32.3
8PWS400G250H	39.49	1003	7.01	178	7.32	186	39.49	1003	7.87	200	7.87	200	79.34	35.9
8PWS400G300	39.49	1003	7.01	178	7.32	186	39.49	1003	7.87	200	7.87	200	79.34	35.9
8PWS400G300H	44.53	1131	7.01	178	7.32	186	44.53	1131	7.87	200	7.87	200	87.30	39.5
8PWS400G400	49.57	1259	7.01	178	7.32	186	49.57	1259	7.87	200	7.87	200	95.03	43
8PWS400G500	49.57	1259	7.01	178	7.32	186	49.57	1259	7.87	200	7.87	200	95.03	43
8PWS400G500H	54.61	1387	7.01	178	7.32	186	54.61	1387	7.87	200	7.87	200	102.99	46.6
8PWS400G600	60.12	1527	7.87	200	8.03	204	60.12	1527	8.07	205	8.07	205	114.04	51.6
8PWS400G750	65.16	1655	7.87	200	8.03	204	65.16	1655	8.07	205	8.07	205	121.99	55.2
8PWS400G750H	70.20	1783	7.87	200	8.03	204	70.20	1783	8.07	205	8.07	205	129.95	58.8
8PWS400G1000	85.35	2168	7.87	200	8.03	204	85.35	2168	8.07	205	8.07	205	153.82	69.6

C* : Diámetro máximo de la bomba cuando es ensamblada con un cable de alimentación
 C** : Diámetro máximo de la bomba cuando es ensamblada con dos cables de alimentación