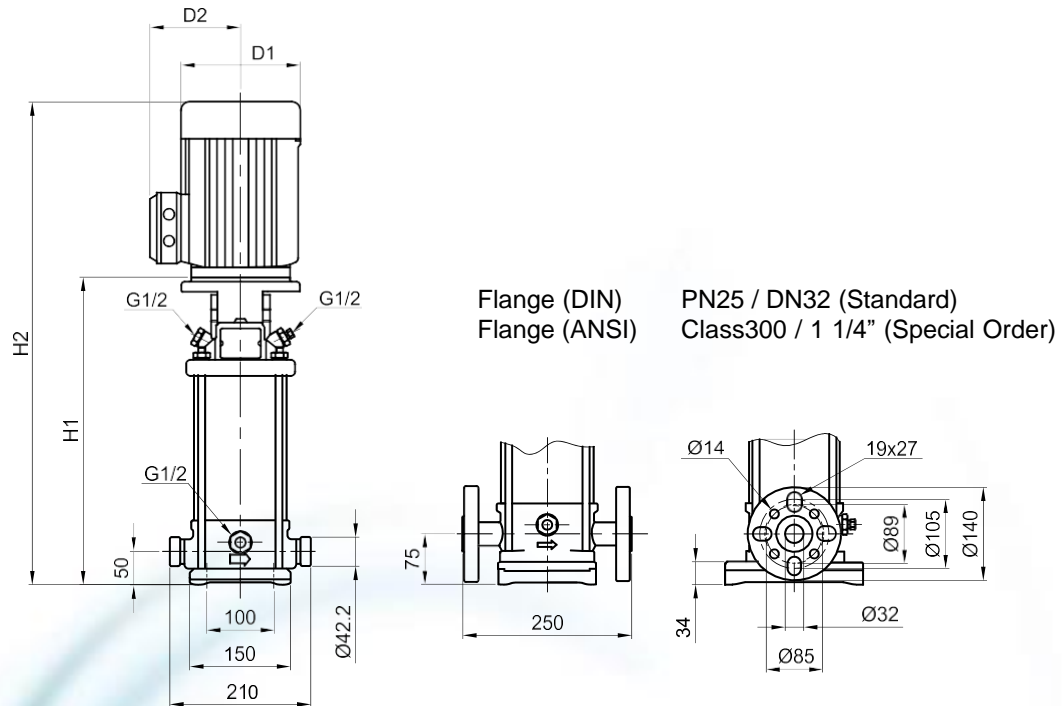
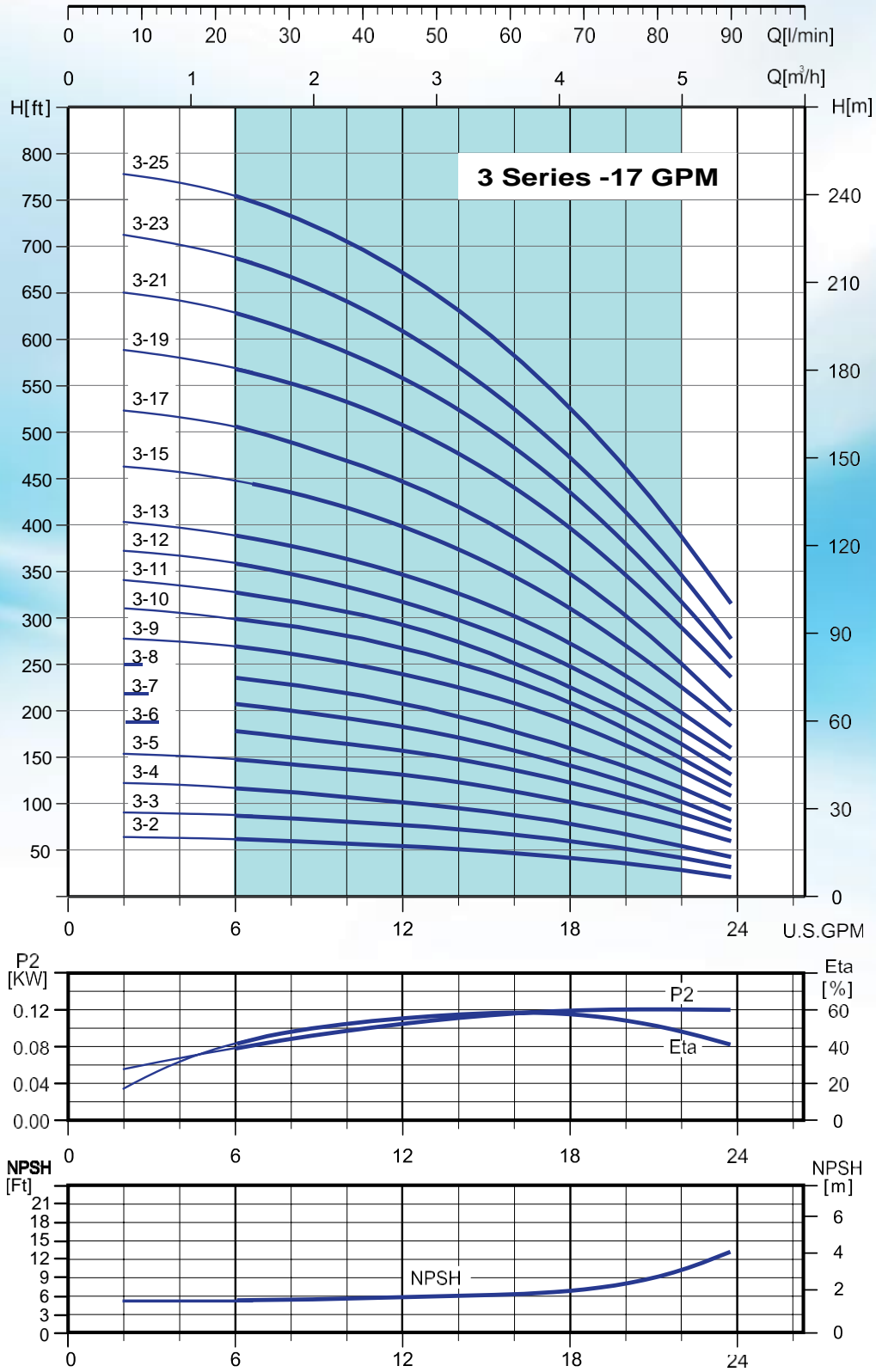


## Peso y Dimensiones



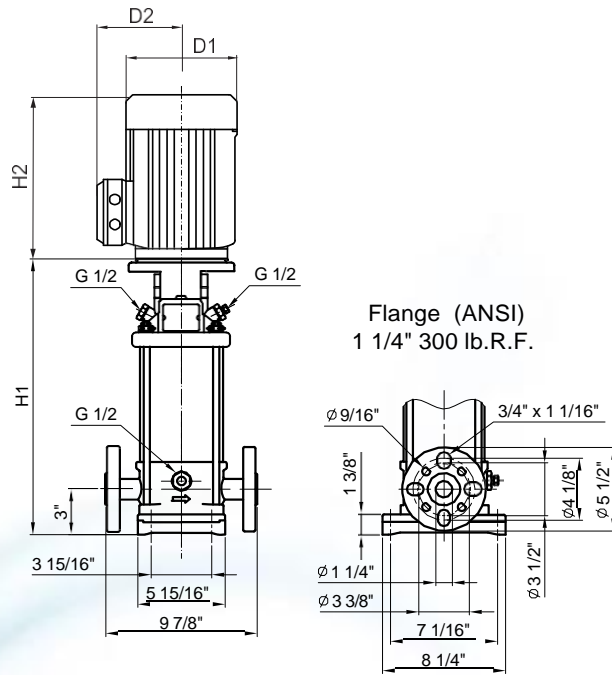
MODELO	HP	ACOPLE	DIMENSIONES Y PESO SERIE VPS - MOTORES IEC									PESO NETO	
			H1		H2		D1		D2		lbs	kg	
			in	mm	in	mm	in	mm	in	mm			
TRIFASICO													
VPS 3-2	0.5	71	11 1/8	282	19	477	5 5/8	141	4 5/8	115	45	21	
VPS 3-3	0.75	80 M	11 1/8	282	19	477	5 5/8	141	4 5/8	115	46	21	
VPS 3-4	0.75	80 M	12	300	19 1/2	495	5 5/8	141	4 5/8	115	47	22	
VPS 3-5	1	80A	13	324	22 1/8	559	5 5/8	141	4 5/8	115	52	24	
VPS 3-6	1.5	80B	13 1/2	342	25	631	7	177	5 5/8	141	68	31	
VPS 3-7	1.5	80B	14 1/4	360	25 5/8	649	7	177	5 5/8	141	69	31	
VPS 3-8	1.5	80B	15	378	26 3/8	667	7	177	5 5/8	141	70	32	
VPS 3-9	2	90S	16 1/4	412	28	707	7	177	5 5/8	141	80	36	
VPS 3-10	2	90S	17	430	28 5/8	725	7	177	5 5/8	141	80	37	
VPS 3-11	2	90S	17 3/4	448	29 3/8	743	7	177	5 5/8	141	81	37	
VPS 3-12	3	90L	18 3/8	466	30	761	7	177	5 5/8	141	86	39	
VPS 3-13	3	90L	19 1/8	484	30 3/4	779	7	177	5 5/8	141	87	40	
VPS 3-15	3	90L	20 1/2	520	32 1/8	815	7	177	5 5/8	141	88	40	
VPS 3-17	3	90L	22	556	33 1/2	851	7	177	5 5/8	141	90	41	
VPS 3-19	4	100L	23 5/8	597	36	913	8	197	6	147	111	50	
VPS 3-21	4	100L	25	633	37 3/8	949	8	197	6	147	112	51	
VPS 3-23	4	100L	26 3/8	669	39	985	8	197	6	147	114	52	
VPS 3-25	5.5	112M	28	705	40 5/8	1031	8 3/4	220	6 3/8	161	124	57	

Todas las medidas son de referencia. Los valores podrán cambiar según el modelo del motor.



# VPS 3 MOTOR NEMA

## Peso y dimensiones



MODELO	HP	ACOPLE	MOTOR ODP	MOTOR TEFC	DIMENSIONES Y PESO SERIE VPS - MOTORES NEMA																PESO NETO		PESO NETO			
					H1		H2		H2		D1		D1		D2		D2		D3		D3		ODP	TEFC	ODP	TEFC
					in	mm	in	mm	in	mm	in	mm	in	mm	in	mm	in	mm	in	mm	in	mm	lbs	kg	lbs	kg
<b>MONOFASICO</b>																										
VPS 3-2	0.5	56C	MVB 05F16O	MVB 05F16T	12 1/8	306	10	249	9 1/4	233	6 1/4	158	6 1/4	158	5 1/8	129	5 1/4	132	6	150	6	148	52	24	51	24
VPS 3-3	0.5	56C	MVB 05F16O	MVB 05F16T	12 1/8	306	10	249	9 1/4	233	6 1/4	158	6 1/4	158	5 1/8	129	5 1/4	132	6	150	6	148	54	25	53	25
VPS 3-4	0.75	56C	MVB 07F16O	MVB 07F16T	13	324	10 5/8	270	10	249	6 1/4	158	6 1/4	158	5 1/8	129	5 1/4	132	6	148	6	148	72	33	62	29
VPS 3-5	0.75	56C	MVB 07F16O	MVB 07F16T	13 1/2	341	10 5/8	270	10	249	6 1/4	158	6 1/4	158	5 1/8	129	5 1/4	132	6	148	6	148	73	34	63	29
VPS 3-6	1	56C	MVB 10F16O	MVB 10F16T	14 1/4	359	11 1/4	284	10 1/8	256	6 5/8	169	7 1/4	183	5 3/4	145	5 3/4	147	6 1/2	165	6 1/2	165	79	36	72	33
VPS 3-7	1.5	56C	MVB 15F16O	MVB 15F16T	15	377	11 1/4	284	11 1/8	281	7 1/4	183	7 1/4	183	5 3/4	145	5 3/4	147	6 1/2	165	6 1/2	165	88	40	76	35
VPS 3-8	1.5	56C	MVB 15F16O	MVB 15F16T	15 5/8	395	11 1/4	284	11 1/8	281	7 1/4	183	7 1/4	183	5 3/4	145	5 3/4	147	6 1/2	165	6 1/2	165	90	41	78	36
VPS 3-9	1.5	56C	MVB 15F16O	MVB 15F16T	16 3/8	414	11 1/4	284	11 1/8	281	7 1/4	183	7 1/4	183	5 3/4	145	5 3/4	147	6 1/2	165	6 1/2	165	92	42	80	37
VPS 3-10	2	56C	MVB 20F16O	MVB 20F16T	17 1/8	433	11 1/4	284	12	304	7 1/4	183	7 1/4	183	5 3/4	145	5 3/4	146	6 1/2	165	6 1/2	165	107	49	91	42
VPS 3-11	2	56C	MVB 20F16O	MVB 20F16T	17 3/4	450	11 1/4	284	12	304	7 1/4	183	7 1/4	183	5 3/4	145	5 3/4	146	6 1/2	165	6 1/2	165	108	49	92	42
VPS 3-12	2	56C	MVB 20F16O	MVB 20F16T	18 1/2	468	11 1/4	284	12	304	7 1/4	183	7 1/4	183	5 3/4	145	5 3/4	146	6 1/2	165	6 1/2	165	109	50	93	43
VPS 3-13	3	182TC	MVB 30F16O	MVB 30F16T	20 1/8	510	12 1/2	316	13 3/4	348	9	227	8 5/8	219	5 5/8	143	7	175	9 1/8	230	9	226	105	48	117	54
VPS 3-15	3	182TC	MVB 30F16O	MVB 30F16T	21 1/2	546	12 1/2	316	13 3/4	348	9	227	8 5/8	219	5 5/8	143	7	175	9 1/8	230	9	226	107	49	119	54
VPS 3-17	3	182TC	MVB 30F16O	MVB 30F16T	23	582	12 1/2	316	13 3/4	348	9	227	8 5/8	219	5 5/8	143	7	175	9 1/8	230	9	226	108	49	120	55
VPS 3-19	3	182TC	MVB 30F16O	MVB 30F16T	24 1/2	623	12 1/2	316	13 3/4	348	9	227	8 5/8	219	5 5/8	143	7	175	9 1/8	230	9	226	110	50	122	56
VPS 3-21	5	182TC	-	MVB 50C16T	25 3/4	654	-	-	15 3/8	389	-	-	8 5/8	219	-	-	7	175	-	-	9	226	-	-	142	65
VPS 3-23	5	182TC	-	MVB 50C16T	27 1/4	690	-	-	15 3/8	389	-	-	8 5/8	219	-	-	7	175	-	-	9	226	-	-	144	66
VPS 3-25	5	182TC	-	MVB 50C16T	28 5/8	726	-	-	15 3/8	389	-	-	8 5/8	219	-	-	7	175	-	-	9	226	-	-	146	67
<b>TRIFASICO</b>																										
VPS 3-2	0.5	56C	MVB 05H36O	MVB 05H36T	12 1/8	306	9 1/4	233	9 3/8	236	6 1/4	158	6 1/4	158	5 1/8	129	5 1/4	132	6	150	6	148	52	24	48	22
VPS 3-3	0.5	56C	MVB 05H36O	MVB 05H36T	12 1/8	306	9 1/4	233	9 3/8	236	6 1/4	158	6 1/4	158	5 1/8	129	5 1/4	132	6	150	6	148	54	25	50	23
VPS 3-4	0.75	56C	MVB 07H36O	MVB 07H36T	13	324	9 1/4	233	9 3/8	236	6 1/4	158	6 1/4	158	5 1/8	129	5 1/4	132	6	150	6	148	58	27	54	25
VPS 3-5	0.75	56C	MVB 07H36O	MVB 07H36T	13 1/2	341	9 1/4	233	9 3/8	236	6 1/4	158	6 1/4	158	5 1/8	129	5 1/4	132	6	150	6	148	59	27	55	25
VPS 3-6	1	56C	MVB 10H36O	MVB 10H36T	14 1/4	359	10	249	10 1/4	259	6 1/4	158	7	179	5 1/8	129	5 3/4	147	6	150	6 1/2	165	63	29	68	31
VPS 3-7	1.5	56C	MVB 15H36O	MVB 15H36T	15	377	10 1/4	259	10 1/4	259	7 1/4	183	7	179	5 5/8	143	5 3/4	147	6 1/2	165	6 1/2	165	70	32	71	33
VPS 3-8	1.5	56C	MVB 15H36O	MVB 15H36T	15 5/8	395	10 1/4	259	10 1/4	259	7 1/4	183	7	179	5 5/8	143	5 3/4	147	6 1/2	165	6 1/2	165	72	33	73	34
VPS 3-9	1.5	56C	MVB 15H36O	MVB 15H36T	16 3/8	414	10 1/4	259	10 1/4	259	7 1/4	183	7	179	5 5/8	143	5 3/4	147	6 1/2	165	6 1/2	165	74	34	75	35
VPS 3-10	2	56C	MVB 20H36O	MVB 20H36T	17 1/8	433	11 1/4	284	11 1/4	284	7 1/4	183	7	179	5 5/8	143	5 3/4	147	6 1/2	165	6 1/2	165	84	39	84	39
VPS 3-11	2	56C	MVB 20H36O	MVB 20H36T	17 3/4	450	11 1/4	284	11 1/4	284	7 1/4	183	7	179	5 5/8	143	5 3/4	147	6 1/2	165	6 1/2	165	85	39	85	39
VPS 3-12	2	56C	MVB 20H36O	MVB 20H36T	18 1/2	468	11 1/4	284	11 1/4	284	7 1/4	183	7	179	5 5/8	143	5 3/4	147	6 1/2	165	6 1/2	165	86	40	86	40
VPS 3-13	3	182TC	-	MVB 30H36T	20 1/8	510	-	-	12 1/2	316	-	-	7 1/4	183	-	-	5 3/4	146	-	-	9	226	-	-	94	43
VPS 3-15	3	182TC	-	MVB 30H36T	21 1/2	546	-	-	12 1/2	316	-	-	7 1/4	183	-	-	5 3/4	146	-	-	9	226	-	-	96	44
VPS 3-17	3	182TC	-	MVB 30H36T	23	582	-	-	12 1/2	316	-	-	7 1/4	183	-	-	5 3/4	146	-	-	9	226	-	-	97	44
VPS 3-19	3	182TC	-	MVB 30H36T	24 1/2	623	-	-	12 1/2	316	-	-	7 1/4	183	-	-	5 3/4	146	-	-	9	226	-	-	99	45
VPS 3-21	5	182TC	MVB 50H36O	MVB 50H36T	25 3/4	654	13 5/8	344	13 3/4	348	9	227	8 1/2	216	5 5/8	143	7	175	9 1/8	230	9	226	114	52	125	57
VPS 3-23	5	182TC	MVB 50H36O	MVB 50H36T	27 1/4	690	13 5/8	344	13 3/4	348	9	227	8 1/2	216	5 5/8	143	7	175	9 1/8	230	9	226	116	53	127	58
VPS 3-25	5	182TC	MVB 50H36O	MVB 50H36T	28 5/8	726	13 5/8	344	13 3/4	348	9	227	8 1/2	216	5 5/8	143	7	175	9 1/8	230	9	226	118	54	129	59

- No está disponible  
Todas las medidas son de referencia. Los valores podrán cambiar según el modelo del motor.